

EFH1527 Electric Utility Heater

Owner's Manual

WARNING! IF THE INFORMATION IN THIS MANUAL IS NOT FOLLOWED EXACTLY, A FIRE MAY RESULT CAUSING PROPERTY DAMAGE, PERSONAL INJURY OR LOSS OF LIFE.



Intertek

Made in China

COMFORT GLOW PHONE NUMBER:
(800) 776-9425
<http://www.worldmktng.com>

World Marketing of America, Inc
PO Box 192
Mill Creek, PA 16652

FEATURES:

- Adjustable Thermostat
- Four settings
 - Heat:
 - High 1500 watts
 - Low 750 watts
 - Fan:
 - High
 - Low
- Top Mounted Control Panel
- Power Indicator Light
- Safety Overheat Device
- Safety Tip-Over Device
- 120V A.C. / 60Hz. 12.5A



CALIFORNIA RESIDENTS ONLY-WARNING:

This product contains chemicals including di(2-ethylhexyl) phthalate (DEHP), which is known to the State of California to cause cancer and reproductive harm. For more information, go to: www.P65Warnings.ca.gov

TESTED TO ANSI/UL 1278. MOVABLE AND WALL-OR CEILING HUNG ELECTRIC ROOM HEATERS

**DO NOT DISCARD THIS MANUAL
PLEASE RETAIN FOR FUTURE USE**

INTENDED USE: This product is intended only for indoor household or office use.

It is NOT intended for industrial or commercial use. DO NOT USE OUTDOORS

IMPORTANT INSTRUCTIONS

PLEASE READ AND SAVE THESE IMPORTANT SAFETY INSTRUCTIONS When using electrical appliances, basic precautions should always be followed to reduce the risk of fire, electrical shock, and injury to persons, including the following:

1. Read all instructions before using this heater.
2. This heater is hot when in use. To avoid burns, do not let bare skin touch hot surfaces. If provided, use handles when moving this heater. Keep combustible materials, such as furniture, pillows, bedding, papers, clothes and curtains at least 3 feet (0.9m) from the heater.
3. Extreme caution is necessary when any heater is used by or near children, pets or invalids and whenever the heater is left operating unattended.
4. If possible, always unplug this appliance when not in use.
5. Do not operate any heater with a damaged cord or plug or after the heater malfunctions, has been dropped or damaged in any manner.
6. Any repairs to this appliance should be carried out by a qualified service person.
7. Under no circumstances should this appliance be modified. Parts having to be removed for servicing must be replaced prior to operating this appliance again.
8. Do not use outdoors.
9. Use your heater only in dry environments. This heater is not intended for use in bathrooms, laundry areas and similar indoor locations. Never locate the heater where it may fall into a bathtub or other water containers. Do not use your heater outdoors. Do not use near sinks, swimming pools or other damp areas such as flooded basements, garages, etc or anyplace where the heater could come in contact with water.
10. Do not use this heater in elevated locations, such as on shelves, raised platforms, etc.
11. Do not run cord under carpeting. Do not cover cord with throw rugs, runners, or similar coverings. Arrange cord away from traffic area and where it will not be tripped over.
12. To disconnect heater, first turn controls to off, then remove plug from outlet. Always unplug the heater when not in use.
13. Connect to a properly grounded outlet only.
14. This appliance, when installed, must be electrically grounded in accordance with local codes, with the current CSA C22.0 Canadian Electrical codes or for USA installations, follow local codes or for USA installations, follow local codes and the National Electric code ANSI/NFPA No. 70.
15. Do not insert or allow foreign objects to enter any ventilation or exhaust opening as this may cause an electrical shock or fire or damage the heater.
16. To prevent a possible fire, do not block air intakes or exhaust in any manner. Do not use on soft surfaces, like a bed, where openings may become blocked.
17. This appliance has hot and arcing or sparking parts inside. Do not use it in areas where gasoline, paint or flammable liquids are used or stored. This appliance should not be used as a drying rack for clothing, nor should Christmas stockings or decorations be hung or near it.
18. Use this heater only as described in this manual. Any other use not recommended by the manufacturer may cause fire, electric shock, or injury to persons.
19. Always plug heaters directly into a wall outlet/receptacle. Never use with an extension cord or relocatable power strip.
20. "SAVE THESE INSTRUCTIONS"

POWER LIGHT:

This heater is equipped with a power indicator light. This light will illuminate when unit is plugged into an outlet.

OVERHEAT SAFETY FEATURE:

This heater is equipped with an automatic overheat protection device. If the heater grill is obstructed, or if the heater gets too hot for any reason, the automatic overheat device will turn the heater off. To reset the heater, simply turn off the power and unplug the heater remove any obstructions, leave unplugged for 10 minutes until it cools completely. Then plug the heater back into outlet and turn unit on.

TIP-OVER SAFETY FEATURE

This heater is equipped with a safety tip-over device. Once the heater is tipped over, an external switch located on the bottom of the heater will automatically shut the heater off. Once the heater is restored to an upright position, the heater will reset.

INSTRUCTIONS FOR POWER

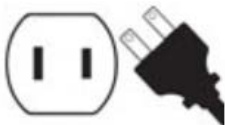
WARNING: Before servicing this heater be sure to unplug heater from wall outlet. Do not only turn off heater from the main "ON/OFF" switch, be sure to unplug this heater.

Note: The power cord has a polarized plug (with one blade wider than the other) that will only fit in a polarized outlet one way. If it does not insert easily try reversing the plug. If it still does not fit contact your electrician to replace your outlet. DO NOT defeat the safety purpose of the polarized plug.

ELECTRICAL CONNECTION

A 15 AMP, 120 Volt, 60Hz circuit with a properly grounded outlet is required. Preferably, the heater will be on a dedicated circuit. Other appliances on the same circuit may cause the circuit breaker to trip or the fuse to blow when the heater is in operation.

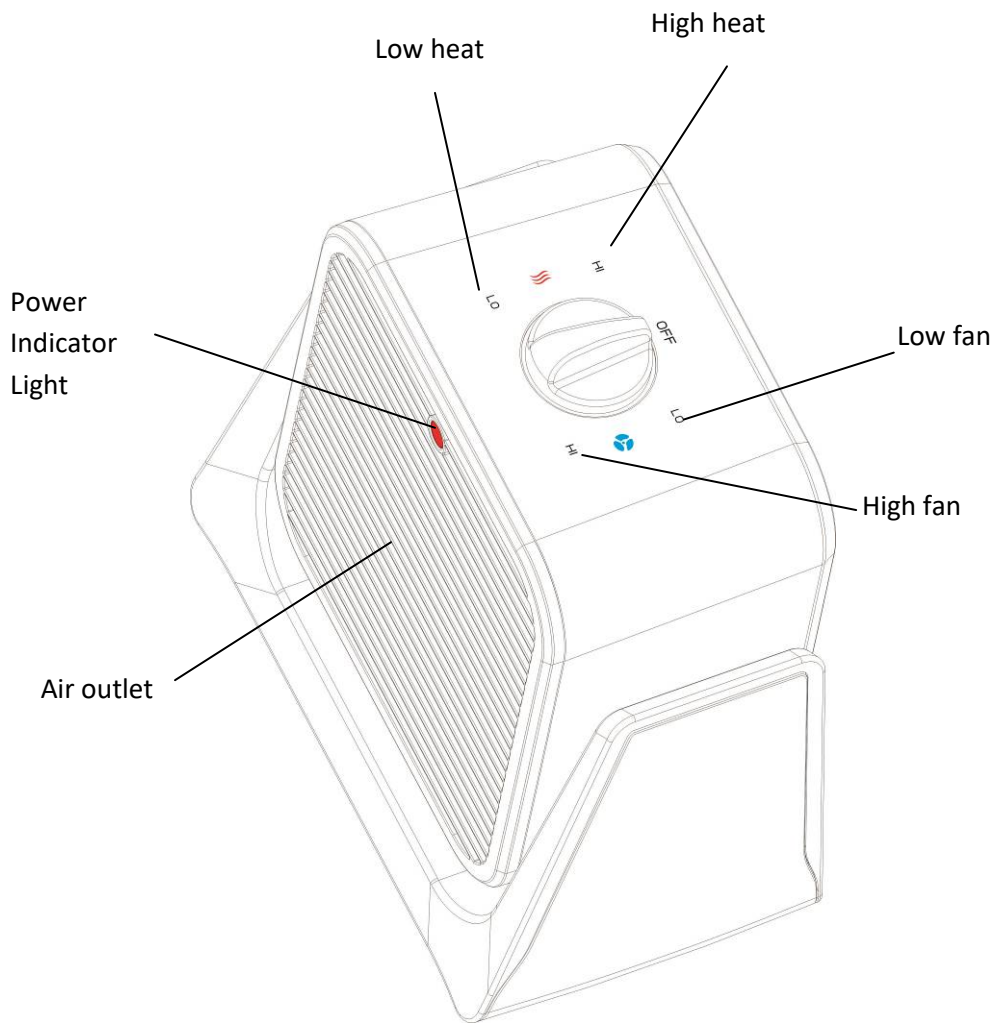
15 Amp 120V



WARNING: Electrical outlet wiring must comply with local building codes and all other applicable regulations to reduce the risk of fire, electrical shock and injury.

WARNING: Do not use this appliance if any part of it has been under water. Immediately call a qualified service technician to inspect the appliance and replace any part of the electrical system if necessary.

PRODUCT DIAGRAM



PREPARATION

Place the product on a firm, level surface and plug into a 120V 60Hz power outlet. Only operate product in upright position.

OPERATION INSTRUCTIONS

Completely uncoil the cord and plug heater directly into a 110~120 Volt grounded AC wall outlet. Be sure the plug fits tightly. A loose fit will cause overheating and damage the plug. Plug and cord may feel warm during normal usage.

NOTE: This unit is not equipped with a thermostat, it will run continuously until powered off.

This product can be used YEAR ROUND

Rotate the heat/fan control knob to desired setting Fan or Heat (Figure 1)

To select Fan Mode, turn the switch clockwise to the fan mode marked in BLUE, select "LO" or "HI" according to your needs.

To select Heat Mode, turn the switch clockwise to the fan mode marked in select "LO" (750W) or "HI" (1500W) according to your needs.

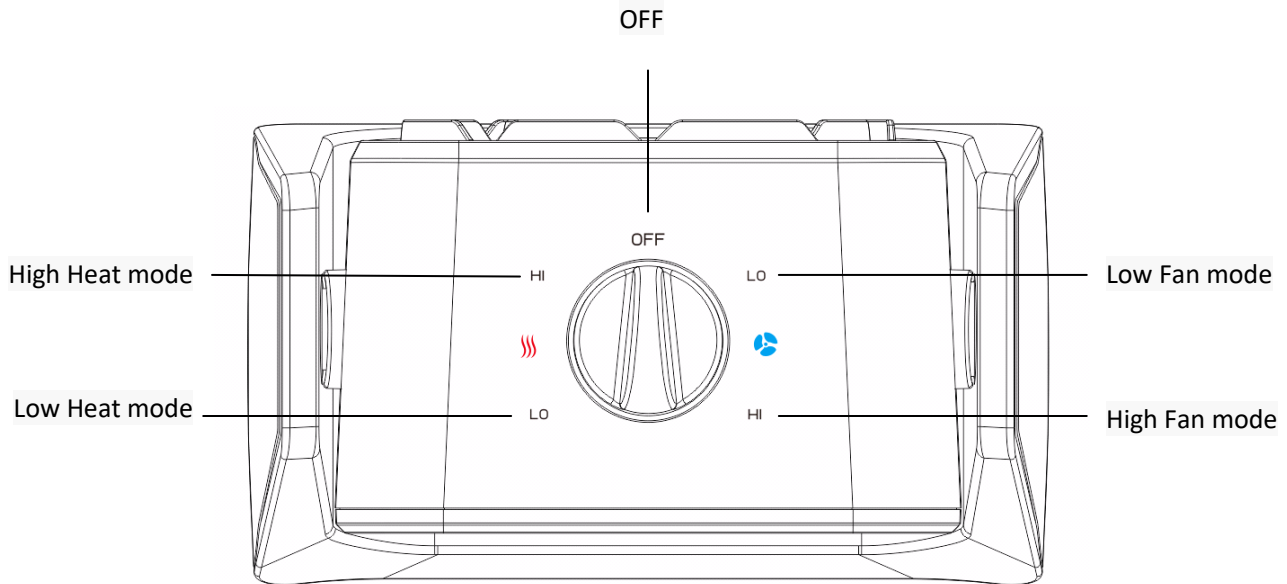


Figure-1

OPERATION INSTRUCTIONS

The product has a handle in the back for easy carrying. (Figure-2)

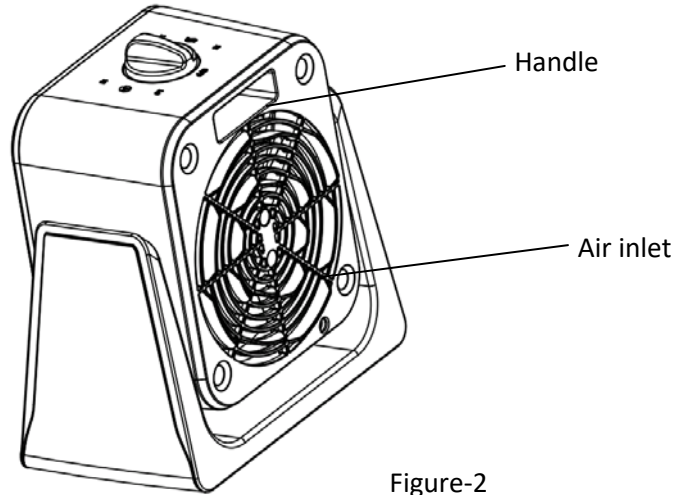


Figure-2

The product can rotate to 45° upwards. (Figure-3)



Figure-3

NOTE: To prevent overloading ac circuit, do not plug heater/fan into a circuit that is servicing other electrical needs.

NOTE: The heater/fan may emit a slight harmless smoke when first used. This smoke is a normal conditioned caused by initial heating of the heating element. It will occur only briefly and is not harmful.

CAUTION

Use this heater only as described in this manual. Any other use not recommended by the manufacturer may cause FIRE, ELECTRIC SHOCK or injury to persons.

TROUBLE SHOOTING

If your heater fails to operate, please do the following:

Review these instructions to insure you understand the basic operations and features of your heater. (Example: Overheat Protection)

Check your circuit breaker or fuse for proper operation.

Check for obstructions. Unplug the heater for 10 minutes, clear any obstructions and restart the heater

MAINTENANCE

1. Unplug the unit and let it cool completely.
2. To keep the unit clean, the outer shell may be cleaned with a soft, damp cloth. You may use a mild detergent if necessary. After cleaning, dry the unit with a soft cloth. CAUTION: DO NOT let liquid enter the product.
3. DO NOT use alcohol, gasoline, abrasive powders, furniture polish, or rough brushes to clean the product. This may cause damage or deterioration to the surface of the product.
4. DO NOT immerse the product in water.
5. Wait until the unit is completely dry before use.

PORTABLE ELECTRIC HEATER WARRANTY

LIMITED WARRANTY:

A limited warranty is extended to the original purchaser of this heater and warrants against malfunction due to manufacturing defects for a period of (90) Ninety Days from the date of retail purchase. Please read and follow all details noted below.

CLAIMS HANDLED AS FOLLOWS:

1. **WITHIN 30 DAYS OF PURCHASE:**

- Return to the place of purchase.

2. **AFTER 30 DAYS AND WITHIN THE 90 DAY WARRANTY PERIOD:**

- Contact our Customer Service Department at 1-800-776-9425. You must have the:
- model number, serial number and date of purchase.
- They will provide you with further instructions, which will include repair or replacement at our option.

CALL 1-800-776-9425 FOR SERVICE (9AM-6PM MON. - FRI.) or EMAIL US AT info@worldmkting.com

DUTIES OF THE OWNER:

This heating appliance must be operated in accordance with the written instructions furnished with this heater. This warranty shall not excuse the owner from properly maintaining this heater in accordance with the written instructions furnished with this heater. A bill of sale, canceled check or payment record must be kept to verify purchase date and establish warranty period. Original carton should be kept in case of warranty return of unit.

WHAT IS NOT COVERED:

1. Damage caused by misuse or use contrary to the owner's manual and safety guidelines.
2. Damage caused by a lack of normal maintenance.
3. Repair by an unauthorized person.
4. Damage caused by connection to an improper voltage.
5. Damaged caused by use outdoors.

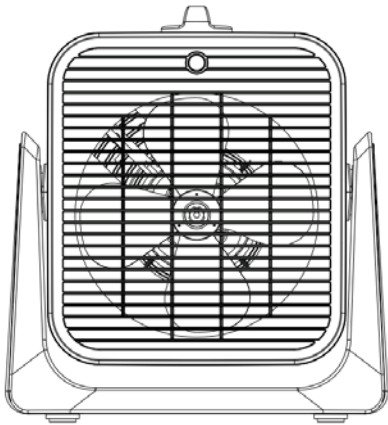
LIMITATIONS:

This warranty does not imply or assume any responsibility for consequential damages that may result from the use, misuse, or the lack of routine maintenance of this heating appliance. A cleaning fee and the cost of parts may be charged for appliance failures resulting from lack of maintenance. This warranty does not cover claims, which do not involve defective workmanship or materials. FAILURE TO PERFORM GENERAL MAINTENANCE (INCLUDING CLEANING) WILL VOID THIS WARRANTY.

THIS LIMITED WARRANTY IS GIVEN TO THE PURCHASER IN LIEU OF ALL OTHER WARRANTIES, EXPRESSED OR IMPLIED, INCLUDING BUT NOT LIMITED TO THE WARRANTIES OF MERCHANTABILITY OF FITNESS FOR A PARTICULAR PURPOSE. THE REMEDY PROVIDED IN THIS WARRANTY IS EXCLUSIVE AND IS GRANTED IN LIEU OF ALL OTHER REMEDIES. IN NO EVENT WILL WORLD MARKETING OF AMERICA BE LIABLE FOR INCIDENTAL OR CONSEQUENTIAL DAMAGES.

Some states do not allow limitations on how long an implied warranty lasts, so the above limitation may not apply to you. Some states do not allow the exclusion or limitation of incidental or consequential damages so the above limitation or exclusion may not apply to you.

Comfort Glow®



EFH1527

Calentador eléctrico de utilidad

Instrucciones de instalación y el Manual de Propietario

¡ADVERTENCIA! SI LA INFORMACION EN ESTE MANUAL no ES SEGUIDA EXACTAMENTE, UN RESULTADO del FUEGO mayo que CAUSA DAÑO de PROPIEDAD, HERIDA O PERDIDA PERSONALES DE la VIDA.



Hencho in China

COMFORT GLOW PHONE NUMBER:
(800) 776-9425
<http://www.worldmkting.com>

World Marketing of America, Inc.
PO Box 192
Mill Creek, PA 17060

CARACTERÍSTICAS:

- Termostato ajustable
- Cuatro configuraciones
Calor:
Alto 1500 vatios
Bajo 750 vatios
Ventilador:
Alto
Bajo
- Panel de control de montaje superior
- Indicador luminoso de alimentación
- Seguridad de sobrecalentamiento del dispositivo
- Seguridad Vuelcos Device
- 120 V de corriente alterna / 60Hz. 12.5 A



ADVERTENCIA SOLO PARA RESIDENTES DE CALIFORNIA:

Este producto contiene elementos químicos que incluyen di(2-etilhexil) ftalato (DEHP), el cual es conocido en el estado de California por provocar cáncer y daños en el sistema reproductivo. Para más información, vaya a: www.P65Warnings.ca.gov

PROBADO A ANSI/UL 1278. CALENTADORES DE SALA ELÉCTRICOS DE PARED O DE TECHO MÓVILES
HOJA PARA el PROPIETARIO
RETENGA POR FAVOR ESTE MANUAL PARA FUTURO USO

INDICE DE MATERIAS

USO previsto: Este producto está diseñado sólo para uso en interiores hogar u oficina. No se pretende para uso industrial o comercial. NO USE AL AIRE LIBRE

INSTRUCCIONES IMPORTANTES

Por favor lea y guarde esta importante seguridad instrucciones cuando utilice aparatos eléctricos, las precauciones básicas siempre deben seguirse para reducir el riesgo de incendio, descargas eléctricas y lesiones personales, incluyendo las siguientes:

1. Lea todas las instrucciones antes de usar este calentador.
2. Este calentador está caliente cuando está en uso. Para evitar quemaduras, no permita que la piel desnuda toque superficies calientes. Si proporciona, utilice las manijas al mover el calentador. Mantenga los materiales combustibles, tales como muebles, almohadas, ropa de cama, papeles, ropa y cortinas por lo menos 3 pies (0.9 m) del calentador.
3. Gran precaución es necesaria cuando el calentador se utiliza en o cerca de niños, mascotas o personas inválidas y siempre que se deje el calentador funcionando desatendido.
4. Si es posible, siempre desconecte el aparato cuando no esté en uso.
5. No opere ningún calentador con un cordón o enchufe dañado o después de un mal funcionamiento del calentador, ha caído o dañado de alguna manera.
6. Las reparaciones de este aparato deben ser realizadas por una persona calificada
7. Bajo ninguna circunstancia se debe modificar este aparato. Piezas de tener que retirarse de servicio deben ser reemplazadas antes de operar este aparato otra vez.
8. No use al aire libre.
9. Utilice su calentador sólo en ambientes secos. Este calefactor no está diseñado para su uso en baños, lavaderos y lugares interiores similares. Nunca coloque el calentador donde puede caer en una bañera o cualquier otro recipiente de agua. No utilice el calentador al aire libre. No utilice cerca de fregaderos, piscinas u otras áreas húmedas tales como sótanos inundados, garajes, etc. o cualquier lugar donde puedan entrar en contacto con el agua en el calentador.
10. No use este calefactor en lugares elevados, tales como estantes, plataformas elevadas, etc.
11. No pase el cable debajo de la alfombra. No cubra el cable con alfombras, tapetes o cubiertas similares. Coloque el cable lejos de zonas de tráfico y donde nadie pueda tropezarse.
12. Para desconectar el calentador, primero apague los controles, luego retire el enchufe del tomacorriente. Siempre desenchufe el calefactor cuando no esté en uso.
13. Conecte solamente en un tomacorrientes debidamente conectado a tierra.
14. Este aparato, cuando se instala, debe ser eléctricamente puesta a tierra conforme a los códigos locales, con el actual CSA C22.0 códigos eléctricos canadiense o para instalaciones en Estados Unidos, siga los códigos locales o para instalaciones en Estados Unidos, siga los códigos locales y el Código Eléctrico Nacional ANSI/NFPA No. 70.
15. No inserte ni permita que objetos extraños introducir ninguna ventilación o escape abrir ya que esto podría causar una descarga eléctrica o un incendio o dañar el calentador.
16. Para evitar un posible incendio, no bloquee las entradas de aire o escape de cualquier manera. No use sobre superficies blandas, como una cama, donde las aberturas pueden bloquearse.
17. Este aparato tiene piezas calientes y arcos o chispas. No lo use en áreas donde gasolina, pintura o líquidos inflamables son utilizados o almacenados. Este aparato no debe utilizarse como un tendedero para la ropa, ni deberían ser colgadas las medias de Navidad o las decoraciones o cerca de él.
18. Use este calefactor solamente como se describe en este manual. Cualquier otro uso no recomendado por el fabricante puede causar incendio, choque eléctrico o lesiones a las personas.
19. Siempre conecte calentadores directamente a un tomacorriente o receptáculo de pared. Nunca use con un cable de extensión o regleta reubicables.
20. "GUARDE ESTAS INSTRUCCIONES"

LUZ DE ENCENDIDO:

Este calentador está equipado con una luz indicadora de encendido. Esta luz se iluminará cuando la unidad esté enchufada a una toma de corriente.

CARACTERÍSTICA DE SEGURIDAD DEL SOBRECALENTAMIENTO:

Este calefactor está equipado con una transmisión automática de dispositivo de protección contra sobrecalentamiento. del calentador está obstruida, o si el calentador se pone muy caliente por cualquier razón, el automático recalentarse dispositivo apagará el calentador. Para restablecer el calentador, simplemente apague y desenchufe el calentador quitar obstrucciones, deje desconectado durante 10 minutos hasta que se enfríe completamente.

CARACTERÍSTICA DE SEGURIDAD DE VOLCADURA

Este calefactor está equipado con un dispositivo de seguridad de volcadura. Una vez que el calentador se vuelca, un conmutador externo ubicado en la parte inferior de la estufa apagará automáticamente el calentador. Una vez que el calentador se restaura una posición vertical, el calentador se restablecerá.

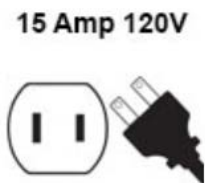
INSTRUCCIONES PARA PODER

ADVERTENCIA: Antes de dar servicio al calefactor Asegúrese de desenchufar el calentador del tomacorriente de pared. HacerNo sólo apaga calentador desde el "interruptor ON/OFF", asegúrese de desenchufar el calentador.

Nota: El cable tiene un enchufe polarizado (con una pata más ancha que la otra) que sólo encajará en un tomacorriente polarizado de una manera. Si no inserta fácilmente intentarlo invirtiendo la clavija. Si aún no encaja contacto con un electricista para que reemplace el tomacorriente. No anule el propósito de seguridad del enchufe polarizado.

CONEXIÓN ELÉCTRICA

15 amperios, 120 voltios, 60Hz circuito con un tomacorriente es necesaria. Preferentemente, el calefactor estará en un circuito dedicado. Otros aparatos en el mismo circuito pueden causar el disyuntor de viaje o el fusible cuando el calentador está en funcionamiento.

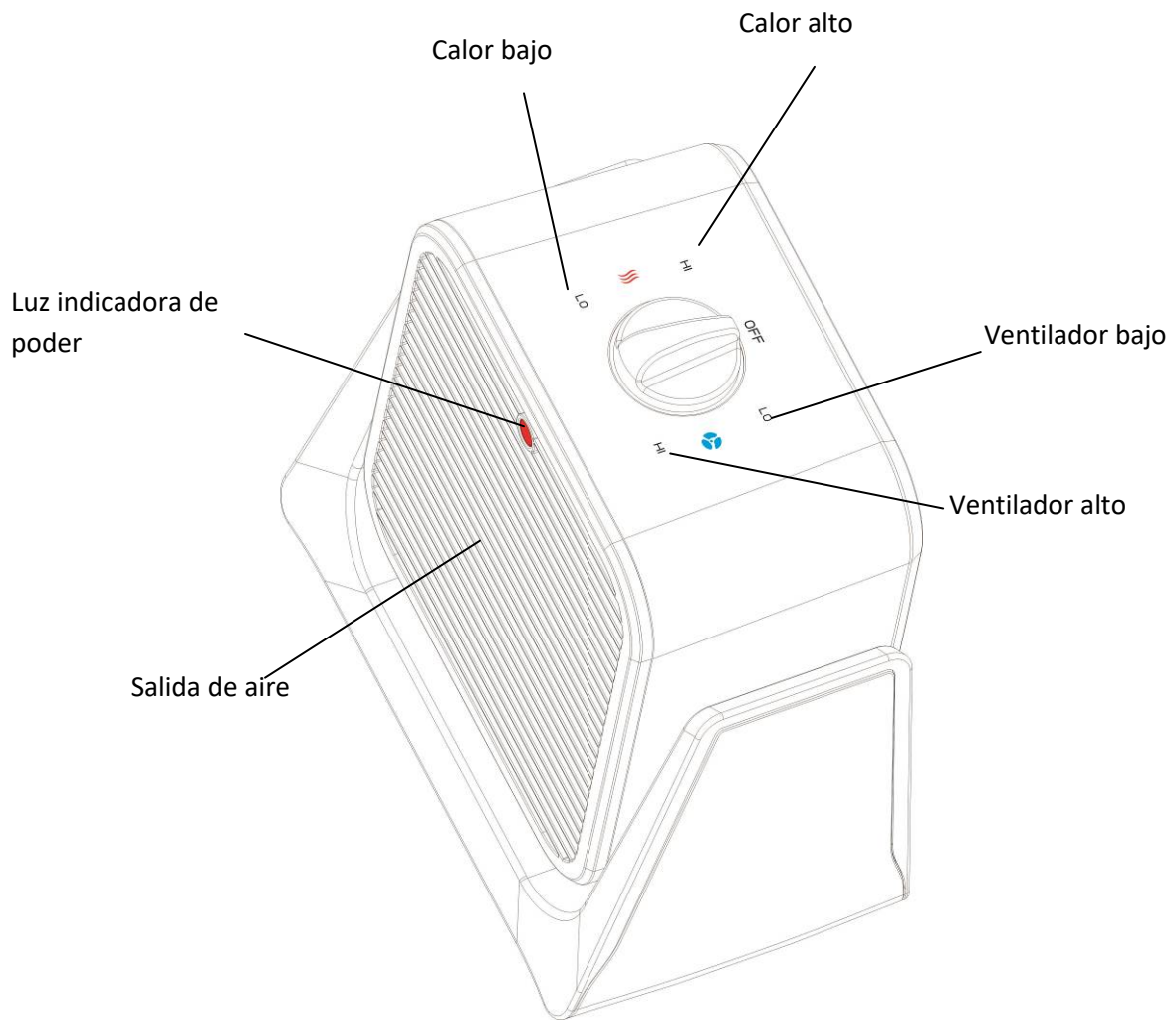


ADVERTENCIA: eléctrico enchufe el cableado debe cumplir con códigos de construcción locales y todo otras regulaciones aplicables para reducir el riesgo de incendio, electrocución y lesiones.



ADVERTENCIA: No utilice esta chimenea si cualquier parte de ella ha estado bajo el agua. Llame de inmediato a un técnico de servicio calificado para inspeccionar la chimenea y reemplace cualquier pieza del sistema eléctrico si es necesario.

Diagrama de producto



PREPARACIÓN

Coloque el producto en una superficie firme y nivelada y conéctelo a una toma de corriente de 120V 60Hz. Solo opere el producto en posición vertical.

INSTRUCCIONES DE OPERACIÓN

Desenrolle completamente el cable y enchufe el calentador directamente en un tomacorriente de CA con conexión a tierra de 110 ~ 120 voltios. Asegúrese de que el enchufe esté bien ajustado. Un ajuste flojo causará sobrecalentamiento y dañará el enchufe. El enchufe y el cable pueden calentarse durante el uso normal.

NOTE: This unit is not equipped with a thermostat, it will run continuously until powered off.

El producto puede usarse el AÑO ENTERO

Gire la perilla de control de calor/ventilador a la configuración deseada Ventilador o Calor (Figura 1)

Para seleccionar el modo de ventilador, gire el interruptor en sentido de las agujas de reloj hasta el modo de ventilador marcado en AZUL, seleccione "LO" o "HI" según sus necesidades.

Para seleccionar el modo de calor, gire el interruptor en el sentido de las agujas del reloj al modo de ventilador marcado en "LO" (750W) o "HI" (1500W) según sus necesidades.

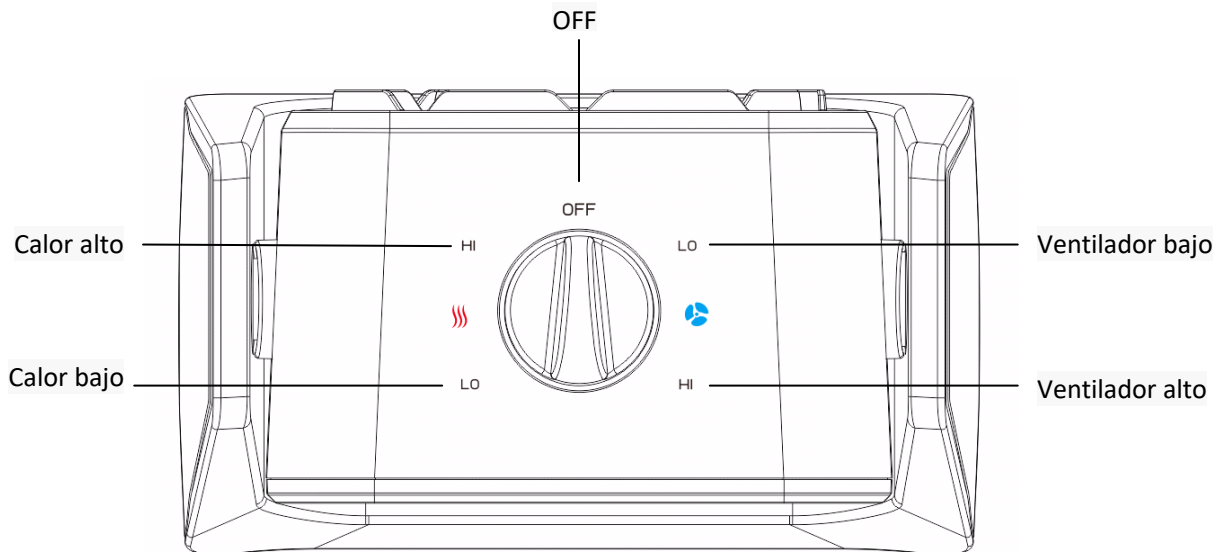
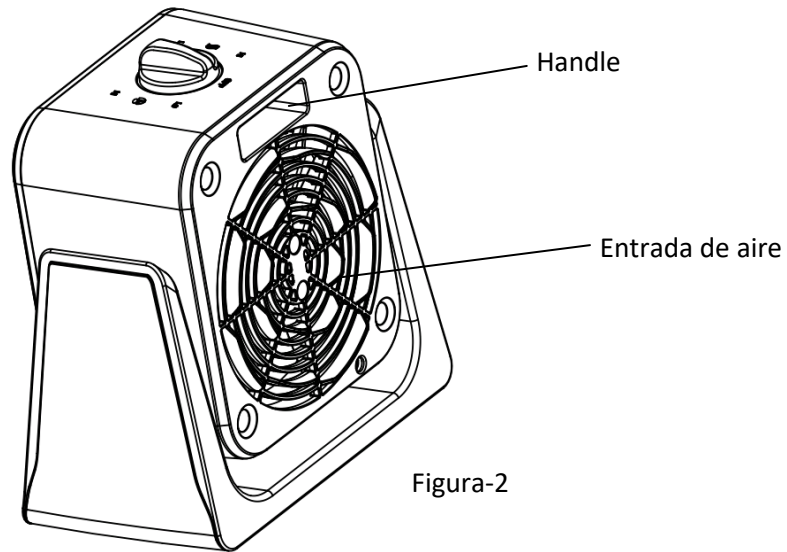


Figura-1

INSTRUCCIONES DE OPERACIÓN

El producto tiene un asa en la parte posterior para facilitar su transporte. (Figura 2)



Este producto puede girar 45° hacia arriba. (Figura 3)



NOTA: Para evitar sobrecargar un circuito, no conecte el calentador / ventilador en un circuito que atiende otras necesidades eléctricas.

NOTA: El calentador puede emitir un ligero humo inofensivo cuando se usa por primera vez. Este humo es una condición normal causada por el calentamiento inicial del elemento calefactor. Ocurrirá solo brevemente y no es dañino.

ADVERTENCIA

Utilice este calentador sólo como se describe en este manual. Cualquier otro uso no recomendado por el fabricante puede provocar INCENDIO, CHOQUE ELÉCTRICO o lesiones a las personas.

SOLUCIÓN DE PROBLEMAS

Si su calentador no funciona, por favor haga lo siguiente:

Revise estas instrucciones para asegurarse de que entiende las operaciones y características básicas de su calentador. (Ejemplo: Protección contra el sobrecalentamiento)

Revise su interruptor de circuito o fusible para un funcionamiento correcto.

Compruebe si hay obstrucciones. Desconecte el calentador durante 10 minutos, despeje cualquier obstrucción y vuelva a encender el calentador

MANTENIMIENTO

1. Desenchufe la unidad y deje que se enfríe completamente.
2. Para mantener la unidad limpia, la cubierta exterior puede limpiarse con un paño suave y húmedo. Puede utilizar un detergente suave si es necesario. Después de limpiar la unidad, séquela con un paño suave.
PRECAUCIÓN: NO deje que entre líquido en el producto.
3. NO utilice alcohol, gasolina, polvos abrasivos, cera para muebles ni cepillos ásperos para limpiar el producto. Esto puede causar daños o deterioro de la superficie del producto.
4. NO sumerja el producto en agua.
5. Espere hasta que la unidad esté completamente seca antes de usarla.

GARANTIA ELECTRICA PORTATIL de CALENTADORA

La GARANTIA LIMITADA:

Una garantía limitada es extendida al comprador original de esta calentadora y autorizaciones contra falla debido a defectos industriales por un período de

(90) Noventa días a partir de la fecha de la compra minorista. Lea y siga todos los detalles que se detallan a continuación.

CLAIMS HANDLED AS FOLLOWS:

1. DENTRO DE 30 DIAS DE la COMPRA:

- Regresa al lugar de la compra.

2. DESPUÉS DE 30 DÍAS Y DENTRO DEL PERÍODO DE GARANTÍA DE 90 DÍAS:

- Contacta nuestro Departamento de atención al cliente en 1-800-776-9425. Debe tener el

- El número modelo, el número de serie y la fecha de la compra.

- Le proporcionarán con instrucciones adicionales, que incluirá Repare o el reemplazo en nuestra opción.

LLAME 1-800-776-9425 PARA el SERVICIO (9AM-6PM Lunes-Viernes)

PEMAIL EEUU EN info@worldmkting.com

Los DEBERES DEL PROPIETARIO:

Este aparato de la calefacción debe ser operado de acuerdo con las instrucciones escritas amuebladas con esta calentadora. Esta garantía no dispensará al propietario de mantener apropiadamente esta calentadora de acuerdo con las instrucciones escritas amuebladas con esta calentadora. Una escritura de venta, registro de cheque pagado o pago debe ser mantenido para verificar la compra la fecha y establecer el período de garantía. El cartón original debe ser mantenido en caso del regreso de garantía de la unidad.

LO QUE no ES CUBIERTO:

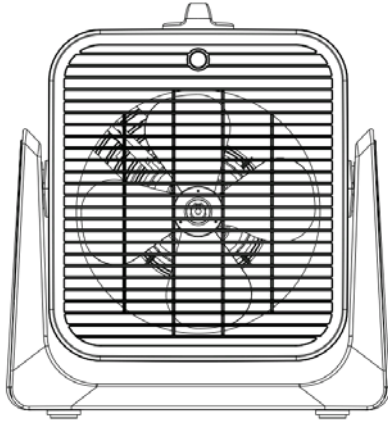
1. El daño causado por maltrato o utiliza al contrario del manual de propietarios y pautas de seguridad.
2. El daño causado por una falta de mantenimiento normal.
3. Repare por una persona no autorizada.
4. El daño causado por conexión a un voltaje impropio.
5. Dañado causado por el uso fuera.

Las LIMITACIONES:

Esta garantía no implica ni asume responsabilidad para daños consecuentes que pueden resultar del uso, del maltrato, o de la falta de mantenimiento rutinario de este aparato de la calefacción. Un honorario de limpieza y el costo de partes pueden ser cargados para fracasos de aparato que resultan de la falta de mantenimiento. Esta garantía no cubre reclamos, que no implican habilidad ni materiales defectuosos. El INCUMPLIMIENTO MANTENIMIENTO GENERAL (INCLUSIVE LIMPIEZA) VACIARA ESTA GARANTIA.

ESTA GARANTIA LIMITADA ES DADA AL COMPRADOR EN VEZ DE TODAS LAS OTRAS GARANTIAS, EXPRESADO O IMPLICITO, INCLUSIVE PERO no LIMITADO A LAS GARANTIAS DE COMERCIALIZACION DE la SALUD PARA UN PROPOSITO PARTICULAR. EL REMEDIO PROPORCIONADO EN ESTA GARANTIA ES EXCLUSIVO Y GRANT EN VEZ DE TODOS LOS OTROS REMEDIOS. EN ningún ACONTECIMIENTO HACE MARKETING de MUNDO DE AMERICA ES RESPONSABLE DE el CASUAL O DAÑOS CONSECUENTES.

Algunos estados no permiten limitaciones en cuánto tiempo una garantía implícita dura, así que la limitación antes mencionada no le puede aplicar. Algunos estados no permiten la exclusión ni la limitación de daños casuales ni consecuentes tan que la limitación ni exclusión antes mencionadas no le pueden aplicar.



EFH1527 Electric Utility Heater

Owner's Manual

WARNING! IF THE INFORMATION IN THIS MANUAL IS NOT FOLLOWED EXACTLY, A FIRE MAY RESULT CAUSING PROPERTY DAMAGE, PERSONAL INJURY OR LOSS OF LIFE.



Intertek

Made in China

COMFORT GLOW PHONE NUMBER:

(800) 776-9425

<http://www.worldmkting.com>

World Marketing of America, Inc

PO Box 192

Mill Creek, PA 16652

FEATURES:

- Adjustable Thermostat
- Quatre réglages
Chaleur: Élevée 1500 watts
Basse 750 watts
Ventilateur: Élevé
Bas
- Panneau de contrôle monté sur la partie supérieure
- Indicateur lumineux d'alimentation
- Safety Overheat Device
- Safety Dispositif de sécurité en cas de surchauffe
- Dispositif de sécurité en cas de basculement
- 120 V CA/60 Hz 12,5 A



CALIFORNIA RESIDENTS ONLY-WARNING:

This product contains chemicals including di(2-ethylhexyl) phthalate (DEHP), which is known to the State of California to cause cancer and reproductive harm. For more information, go to: www.P65Warnings.ca.gov

TESTÉ CONFORMÉMENT À ANSI/UL 1278. APPAREILS CHAUFFANTS MOBILES POUR CHAMBRE ET INSTALLABLES AU MUR OU AU PLAFOND

VEUILLEZ CONSERVER POUR UNE UTILISATION FUTURE

USAGE PRÉVU: Ce produit est destiné à un usage domestique intérieur seulement. Il n'est PAS destiné à un usage industriel ou commercial. NE PAS UTILISER À L'EXTÉRIEUR.

INSTRUCTIONS IMPORTANTES

VEUILLEZ LIRE ET CONSERVER CES INSTRUCTIONS DE SÉCURITÉ IMPORTANTES Pour l'utilisation d'appareils électriques, des précautions de base doivent toujours être prises afin de réduire le risque d'incendie, de décharge électrique et de blessures, ce qui inclut les suivantes:

1. Lire toutes les instructions avant d'utiliser cet appareil chauffant.
2. Cet appareil chauffant est chaud lorsqu'il est utilisé. Pour éviter les brûlures, ne pas laisser la peau nue toucher les surfaces chaudes. Si elles sont fournies, utiliser les poignées pour déplacer cet appareil chauffant. Garder les matières combustibles comme les meubles, les oreillers, la literie, les mouchoirs en papier et les rideaux à au moins 0,9 m (3 pi) de l'appareil chauffant.
3. Une extrême prudence est nécessaire lorsque tout appareil chauffant est utilisé par ou près des enfants, des animaux de compagnie ou de personnes invalides et lorsque l'appareil chauffant fonctionne sans surveillance.
4. Si possible, toujours débrancher l'appareil lorsqu'il n'est pas utilisé.
5. Ne pas utiliser tout appareil chauffant dont le cordon d'alimentation ou la fiche est endommagé(e) ou après une défaillance de l'appareil, après qu'il ait été échappé ou endommagé de quelque manière.
6. Toute réparation de cet appareil doit être effectuée par un technicien qualifié.
7. En aucune circonstance, cet appareil ne peut être modifié. Les pièces qui doivent être retirées pour réparation doivent être remplacées avant d'utiliser de nouveau cet appareil.
8. Ne pas utiliser à l'extérieur.
9. Utiliser votre appareil chauffant uniquement dans des environnements secs. Cet appareil chauffant n'est pas destiné à une utilisation dans des salles de bain, des espaces de buanderie et lieux intérieurs similaires. Ne jamais placer l'appareil chauffant où il pourrait tomber dans un bain ou autre contenant d'eau. Ne pas utiliser à l'extérieur. Ne pas utiliser près d'éviers, de piscines ou autres zones humides comme des sous-sols inondés, des garages, etc. ou tout endroit où l'appareil pourrait entrer en contact avec l'eau.
10. Ne pas utiliser cet appareil chauffant sur des lieux surélevés comme des tablettes, des plates-formes surélevées, etc.
11. Ne pas acheminer le cordon d'alimentation sous les tapis. Ne pas couvrir le cordon d'alimentation avec des carpettes, des rails ou couvertures similaires. Faire passer le cordon à l'écart des zones de circulation où il ne constitue pas un risque de trébuchement.
12. Pour déconnecter l'appareil chauffant, mettre d'abord les contrôles en position hors tension, puis retirer la fiche de la prise. Toujours débrancher l'appareil chauffant lorsqu'il n'est pas utilisé.
13. Connecter seulement à une prise avec dispositif de mise à la terre approprié.
14. Cet appareil, lorsqu'installé, doit être muni d'un dispositif de mise à la terre conformément aux codes locaux, au code électrique canadien CSA C22.0 ou pour les installations aux États-Unis, suivez les codes locaux et le National Electric code ANSI/NFPA No. 70.
15. Ne pas insérer ou laisser pénétrer des objets étrangers dans aucune ouverture de ventilation ou d'échappement puisque cela pourrait causer des décharges électriques ou des dommages à l'appareil chauffant.
16. Afin de prévenir un possible incendie, ne pas bloquer les entrées d'air ou les sorties d'échappement d'aucune manière. Ne pas utiliser sur des surfaces tendres, comme un lit, où les ouvertures pourraient être bloquées.
17. Cet appareil ne comporte aucune pièce chaude ou produisant des arcs électriques ou des étincelles. Ne pas utiliser dans des zones où de l'essence, de la peinture ou autres liquides inflammables sont utilisés ou entreposés. Cet appareil ne doit pas être utilisé comme support de séchage pour les vêtements et aucune décoration ni aucun bas de Noël ne doit être suspendu sur l'appareil ou à proximité.
18. Utiliser cet appareil chauffant seulement comme c'est décrit dans ce manuel. Tout autre usage recommandé par le fabricant peut causer un incendie, une décharge électrique ou des blessures.
19. Toujours brancher des appareils chauffants directement dans une prise murale. Ne jamais utiliser avec une rallonge électrique ou une barre d'alimentation portative.
20. « CONSERVER CES INSTRUCTIONS »

INDICATEUR LUMINEUX D'ALIMENTATION:

Cet appareil chauffant est équipé d'un indicateur lumineux d'alimentation. Cet indicateur s'allume lorsque l'appareil est branché dans une prise de courant.

FONCTION DE SÉCURITÉ EN CAS DE SURCHAUFFE:

This heater is equipped with an automatic overheat protection device. If the heater grill is obstructed, or if the heater gets too hot for any reason, the automatic overheat device will turn the heater off. To reset the heater, simply turn off the power and unplug the heater remove any obstructions, leave unplugged for 10 minutes until it cools completely. Then plug the heater back into outlet and turn unit on.

DISPOSITIF DE SÉCURITÉ EN CAS DE BASCULEMENT

Cet appareil chauffant est équipé d'un dispositif de sécurité en cas de basculement. Lorsque l'appareil chauffant bascule, une interrupteur externe situé sur le bas de l'appareil chauffant éteint automatiquement l'appareil. Une fois l'appareil replacé en position verticale, il se réinitialise.

INSTRUCTIONS POUR L'ALIMENTATION

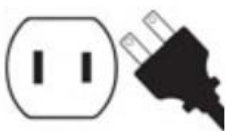
MISE EN GARDE: Avant de faire réparer cet appareil chauffant, assurez-vous de le débrancher de la prise murale. Ne pas éteindre l'appareil avec l'interrupteur « ON/OFF » principal, assurez-vous de le débrancher.

Remarque: Le cordon d'alimentation comporte une fiche polarisée (avec une broche plus large que l'autre) qui s'insérera dans la prise d'un sens seulement. S'il ne s'insère pas facilement, essayer d'inverser le sens de la fiche. S'il est toujours impossible de l'insérer, contactez votre électricien pour faire remplacer votre prise. NE PAS contourner l'objectif de sécurité de la fiche polarisée.

CONNECTION ELECTRIQUE

Un circuit de 15 Ampères, 120 Volts et 60 Hz et une prise électrique terrestre solide sont nécessaires. De préférence, le poêle sera branché sur un circuit spécial. Brancher d'autres appareils sur le même circuit peut amener le circuit à disjoncter ou faire sauter le fusible lorsque le poêle est en cours d'utilisation. Le poêle est fourni avec un triple cordon d'une longueur de 1828mm.

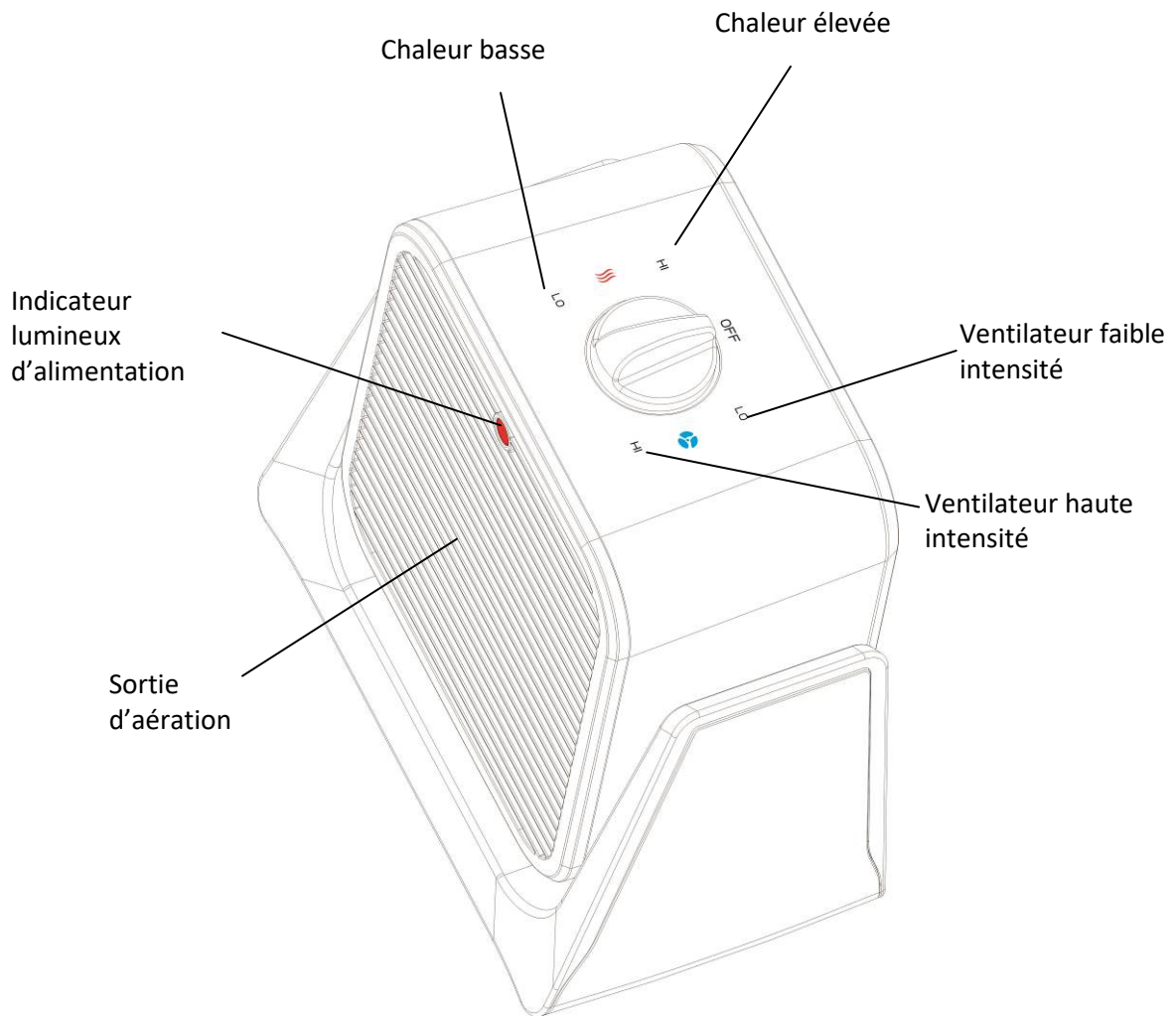
15 Amp 120V



AVERTISSEMENT: Le câblage de la prise électrique murale doit être en réglementation avec les codes locaux des bâtiments et autres réglementations applicables afin de réduire le risque d'incendie, de chocs électriques ou de lésions corporelles.

AVERTISSEMENT: Ne pas utiliser ce poêle si une des parties le constituant a été immergée. Appelez immédiatement un technicien qualifié afin d'inspecter le poêle et remplacer les parties du système électrique si besoin.

Schéma du produit



Préparation

Placer le produit sur une surface ferme et de niveau et brancher dans une prise électrique de 120 V 60 Hz. Faire fonctionner le produit uniquement en position verticale.

INSTRUCTIONS D'UTILISATION

Dérouler complètement le cordon et brancher l'appareil chauffant directement dans une prise murale 110~120 AC avec mise à la terre et s'assurer que la fiche est bien ajustée dans la prise. Une insertion lâche causera une surchauffe et endommagera la fiche. La fiche et le cordon peuvent être légèrement chauds pendant une utilisation normale.

REMARQUE: Cet appareil n'est pas équipé d'un thermostat, il fonctionnera continuellement jusqu'à ce qu'il soit mis hors tension

Le produit peut être utilisé TOUTE L'ANNÉE

Tourner le bouton de contrôle de la chaleur/du ventilateur jusqu'au réglage de chaleur/de ventilateur désiré (Figure 1)

Pour sélectionner le mode ventilateur, tourner le bouton dans le sens horaire jusqu'au mode ventilateur marqué en **BLEU**, sélectionner « **FAIBLE** » ou « **ÉLEVÉ** » selon vos besoins.

Pour sélectionner le mode chaleur, tourner le bouton dans le sens horaire jusqu'au mode ventilateur marqué en **(ROUGE)**? et sélectionner « **FAIBLE** » (750 W) ou « **ÉLEVÉ** » (1500 W) selon vos besoins.

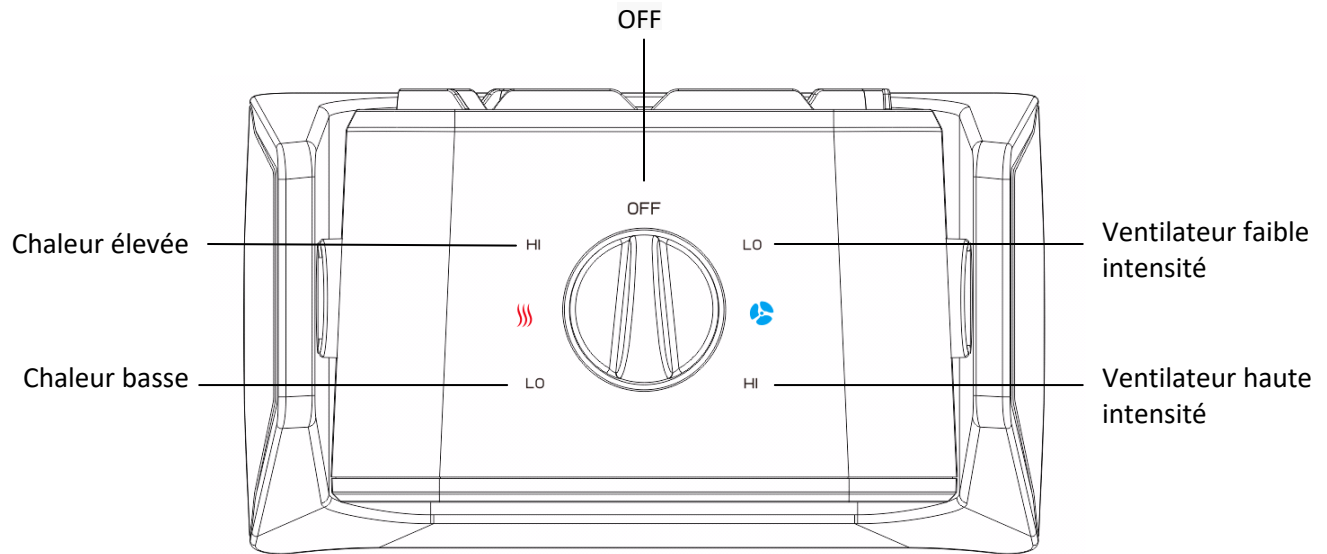


Figure-1

INSTRUCTIONS D'UTILISATION

Le produit est muni d'une poignée à l'arrière pour faciliter le transport. (Figure 2)

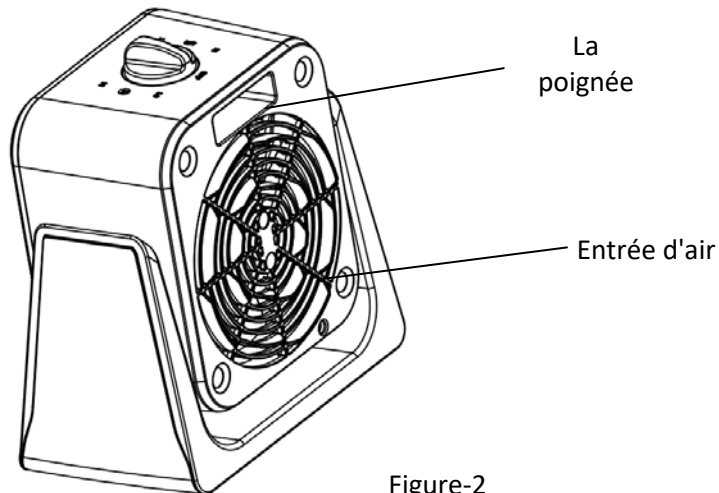


Figure-2

Ce produit peut être tourné de 45° vers le haut. (Figure 3)

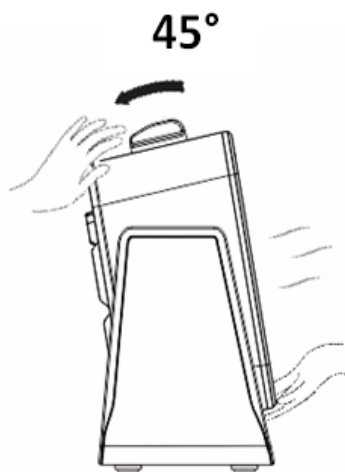


Figure-3

REMARQUE: Pour éviter de surcharger le circuit alternatif, ne branchez pas le radiateur / ventilateur sur un circuit qui répond à d'autres besoins électriques.

REMARQUE: Le radiateur / ventilateur peut émettre une légère fumée inoffensive lors de sa première utilisation. Cette fumée est une condition normale causée par le chauffage initial de l'élément chauffant. Cela ne se produira que brièvement et n'est pas nocif.

MISE EN GARDE

Utiliser cet appareil chauffant seulement de la manière décrite dans ce manuel. Tout autre usage non recommandé par le fabricant peut causer un INCENDIE, une DÉCHARGE ÉLECTRIQUE ou des blessures.

DÉPANNAGE

Si votre appareil chauffant ne fonctionne pas, veuillez suivre les étapes suivantes :

Passer ces instructions en revue pour vous assurer de comprendre les opérations et fonctionnalités de base de votre appareil chauffant. (Exemple : protection contre la surchauffe.)

Vérifier le disjoncteur ou le fusible pour assurer un fonctionnement approprié.

S'assurer qu'il n'y a aucune obstruction. Débrancher l'appareil chauffant pendant 10 minutes, dégager toute obstruction et redémarrer l'appareil chauffant

ENTRETIEN

1. Débrancher l'appareil et le laisser refroidir complètement.
2. Pour maintenir l'appareil propre, le boîtier externe peut être nettoyé avec un chiffon doux et humide. Vous pouvez utiliser un détergent doux si nécessaire. Après l'avoir nettoyé, sécher l'appareil avec un chiffon doux. MISE EN GARDE : NE PAS laisser de liquide pénétrer dans le produit.
3. NE PAS UTILISER d'alcool, d'essence, de poudres abrasives, de poli à meubles ou des brosses dures pour nettoyer le produit. Cela pourrait endommager ou détériorer la surface du produit.
4. NE PAS immerger le produit dans l'eau.
5. Attendre jusqu'à ce que l'appareil soit complètement sec avant de l'utiliser.

GARANTIE DE L'APPAREIL CHAUFFANT ÉLECTRIQUE PORTATIF

GARANTIE LIMITÉE:

Une garantie limitée est fournie à l'acheteur d'origine du produit et couvre les défaillances dues à des défauts de fabrication pendant une période de un (90) quatre-vingt-dix jours à compter de la date d'achat. Veuillez lire et observer toutes les informations ci-dessous.

LES RÉCLAMATIONS SONT GÉRÉES COMME SUIT:

1. JUSQU'À 30 JOURS APRÈS LA DATE D'ACHAT:

- Retourner au lieu d'achat.

2. APRÈS 30 JOURS ET PENDANT LA PÉRIODE DE GARANTIE D'UN (90) JOURS:

- Contactez notre équipe du service à la clientèle au 1-800-776-9425.
- Vous devez avoir en main le numéro de modèle, le numéro de série et la preuve d'achat.
- On vous fournira des instructions supplémentaires qui incluront la réparation ou le remplacement, à notre discrétion.

APPELEZ LE 1-800-776-9425 POUR LE SERVICE (9 AM-6PM MON. - VEN.) OU ENVOYEZ-NOUS UN E-MAIL À info@worldmkting.com

RESPONSABILITÉS DU PROPRIÉTAIRE:

Cet appareil de chauffage doit être utilisé conformément aux instructions écrites fournies avec celui-ci. Cette garantie ne peut excuser le propriétaire d'entretenir cet appareil de façon appropriée et conformément aux instructions écrites fournies avec ce produit. Un acte de vente, un chèque oblitéré ou les antécédents au chapitre des paiements doivent être conservés pour vérifier la date d'achat et établir la période de garantie. La boîte originale doit être conservée dans le cas d'un retour sous garantie de l'appareil.

CE QUI N'EST PAS COUVERT:

1. Dommage causé par une mauvaise utilisation ou une utilisation contraire au manuel du propriétaire et des lignes directrices de sécurité.
2. Dommage causé par un manque d'entretien normal.
3. Réparation effectuée par une personne non autorisée.
4. Dommage causé par connexion à une tension inappropriée.
5. Dommage causé par une utilisation à l'extérieur.

LIMITATIONS:

Cette garantie n'implique ni n'assume aucune responsabilité pour les dommages indirects qui pourraient être causés par l'utilisation, la mauvaise utilisation ou le manque d'entretien de routine de cet appareil chauffant. Des frais de nettoyage et le coût des pièces peuvent être facturés pour les défauts de l'appareil causés par le manque d'entretien. Cette garantie ne couvre pas les réclamations qui impliquent les défauts matériels ou dus à la main-d'œuvre. LE DÉFAUT D'EFFECTUER L'ENTRETIEN GÉNÉRAL (INCLUANT LE NETTOYAGE) ANNULERA CETTE GARANTIE.

CETTE GARANTIE LIMITÉE EST FOURNIE À L'ACHETEUR AU LIEU DE TOUTE AUTRE GARANTIE, EXPRESSE OU IMPLICITE, INCLUANT, MAIS SANS S'Y LIMITER, LES GARANTIES DE RESPONSABILITÉ DU MARCHAND OU D'ADÉQUATION À UN USAGE PARTICULIER. LE RECOURS FOURNI PAR CETTE GARANTIE EST EXCLUSIF ET EST ACCORDÉ AU LIEU DE TOUT AUTRE RECOURS. EN AUCUNE CIRCONSTANCE WORLD MARKETING OF AMERICA SERA RESPONSABLE DES DOMMAGES CONSÉCUTIFS OU INDIRECTS.

Certaines provinces n'autorisent pas les limitations sur la durée de la garantie implicite, donc ce qui précède pourrait ne pas s'appliquer à vous. Certaines provinces n'autorisent pas l'exclusion ou la limitation des dommages consécutifs ou indirects, donc les limitations qui précèdent pourraient ne pas s'appliquer à vous.

Imprimé en Chine

© 2020 World Marketing of America, Inc. Tous droits réservés.